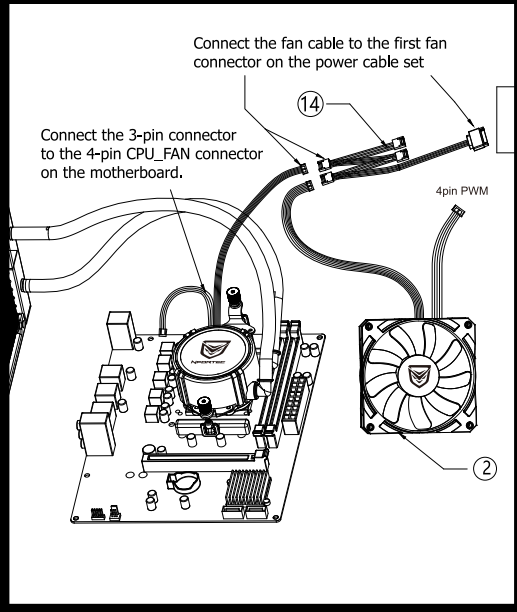
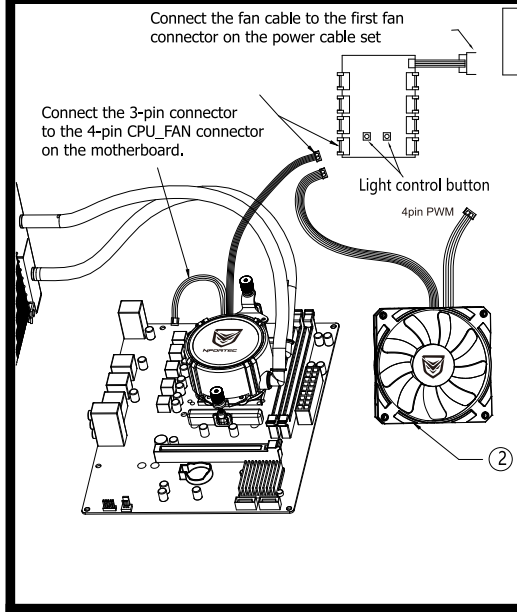


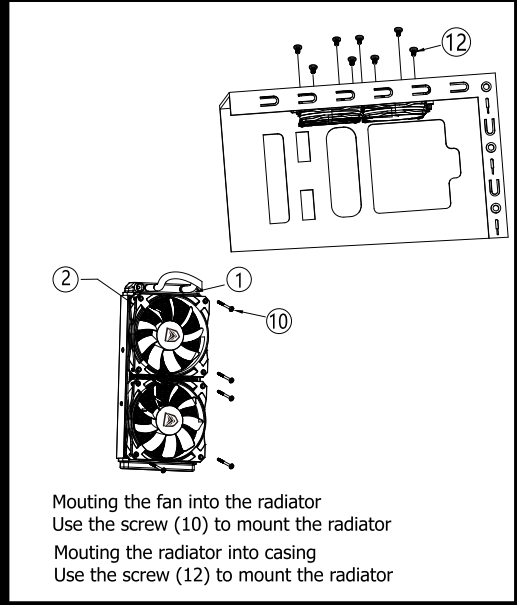
**9 Connecting pump and fan**



**10 Connecting to controller (Optional)**



**11 Mounting to case**



**WARNING**

If you connect the Nfortec RGB Controller DON'T connect the PWM FAN.  
If you connect it to the motherboard and to the RGB controller the CPU Cooler the product might be damaged beyond repair.

Nfortec will not take any responsibility about an incorrect installation.



For more information please visit [www.nfortec.com](http://www.nfortec.com)

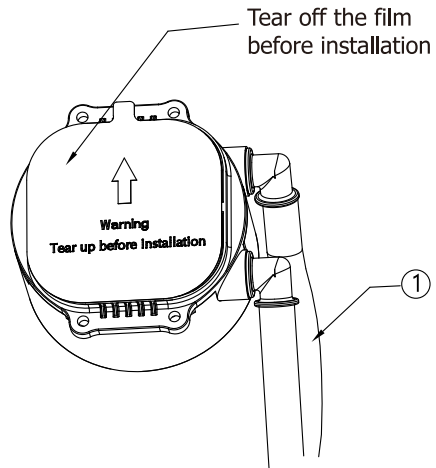


**ANDROMEDA 240**

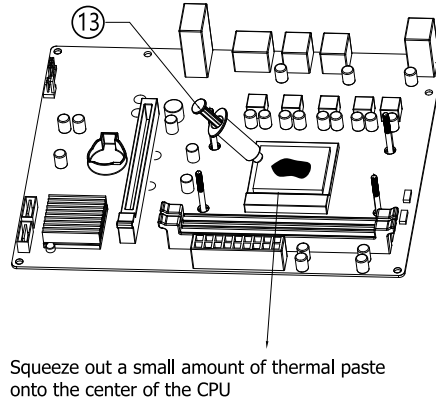
RGB 240 WATER COOLING

① 1 PCS	② 120mm fan 2PCS	③ 1 PCS	④ 2 PCS
⑤ 2 PCS	⑥ AM4 Mounting screw 2PCS	⑦ AM4 mounting 2PCS	⑧ LGA 115X mounting screw 4 PCS
⑨ LGA 20XX mounting screw 4PCS	⑩ Fan screw 8 PCS	⑪ 4 PCS	⑫ Chassis screw 8 PCS
⑬ Thermal grease 1 PCS	⑭ 1 PCS	⑮ 1 PCS	⑯ 1 PCS

**1 Intel 115X/20XX Motherboard**

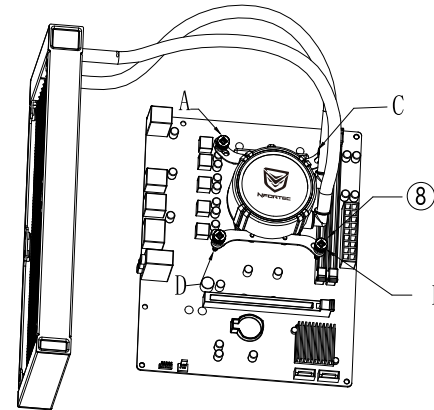


**2 Intel 115X/20XX Motherboard**

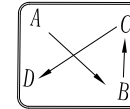


Squeeze out a small amount of thermal paste onto the center of the CPU

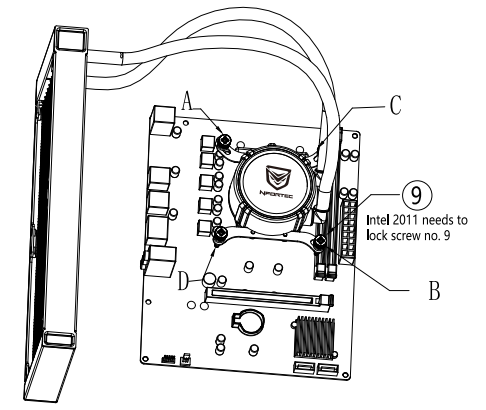
**5 Intel 115X Motherboard**



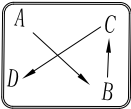
Place the pump with the retention bracket onto the CPU  
Use screw No 8 for Intel Socket 115x  
Ensure the four screws are aligned and tighten the screws in sequence A to D.



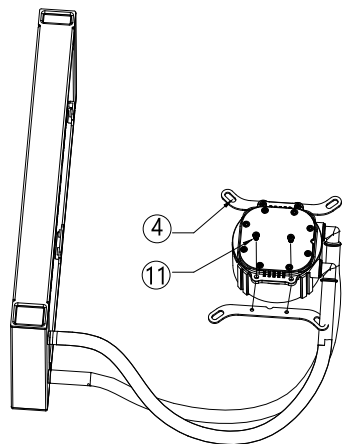
**6 Intel 20XX Motherboard**



Place the pump with the retention bracket in to the CPU  
Use screw No 9 for Intel Socket 2011  
Ensure that four screws are aligned and tighten the screws in sequence A to D.

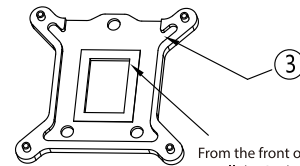


**3 Intel 115X/20XX Motherboard**



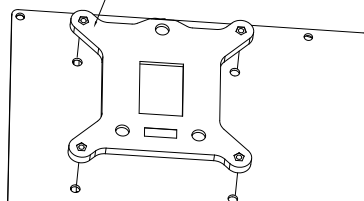
Place the retention bracket onto the pump

**4 Intel 115X Motherboard**

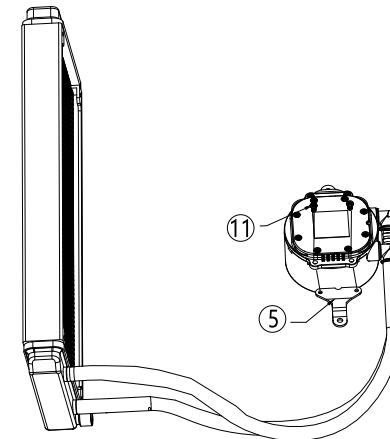


From the front of the motherboard, install the Socket 115X backplate.

Ensuring the standoffs go through the holes on the bracket and securely apply the screw.

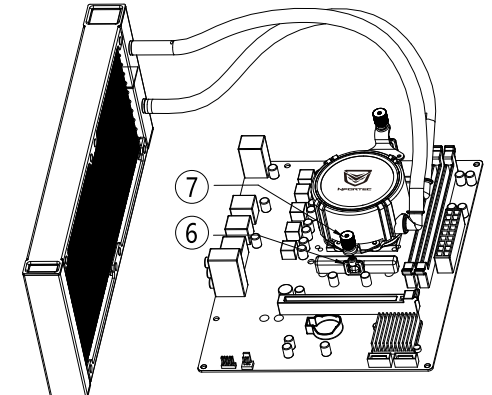


**7 AM4 Motherboard**



Place the AMD retention bracket in to the pump.

**8 AM4 Motherboard**



Ensure the two (6,7) screws are aligned and tighten the screws