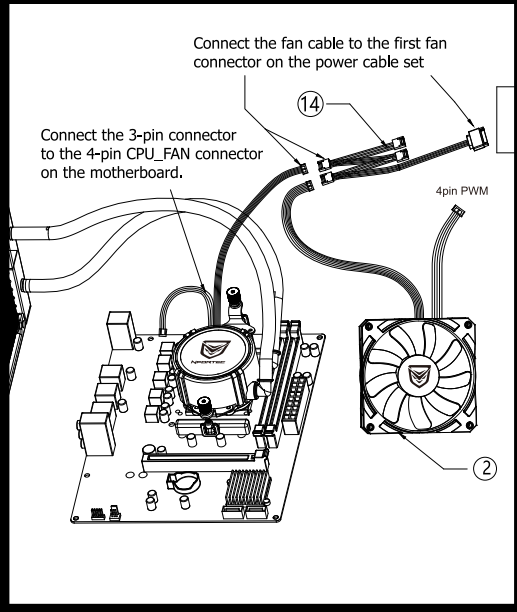
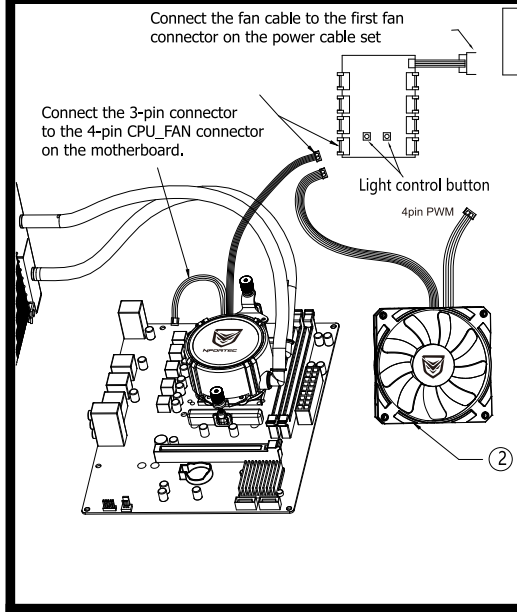


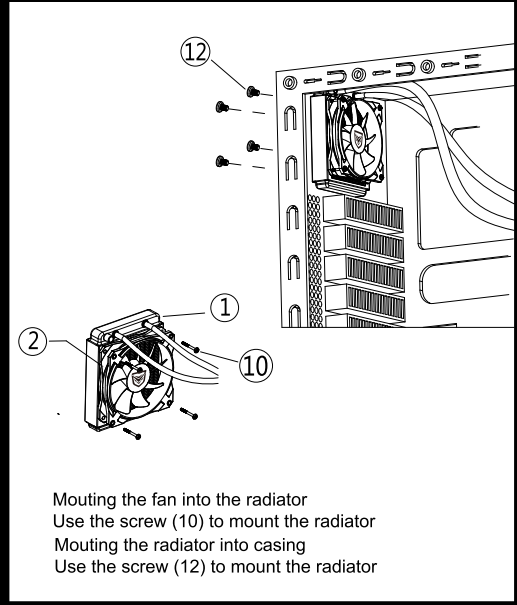
9 Connecting pump and fan



10 Connecting to controller (Optional)



11 Mounting to case



WARNING

If you connect the Nfortec RGB Controller DON'T connect the PWM FAN.
If you connect it to the motherboard and to the RGB controller the CPU Cooler the product might be damaged beyond repair.

Nfortec will not take any responsibility about an incorrect installation.



For more information please visit www.nfortec.com

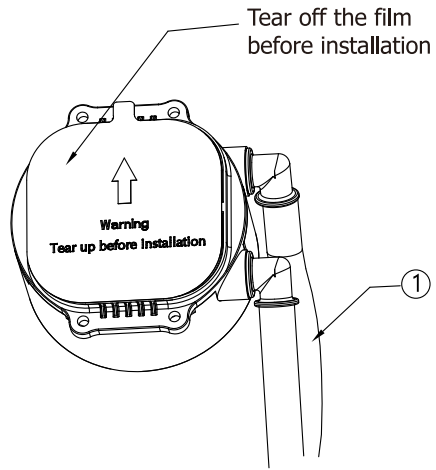


ANDROMEDA 120

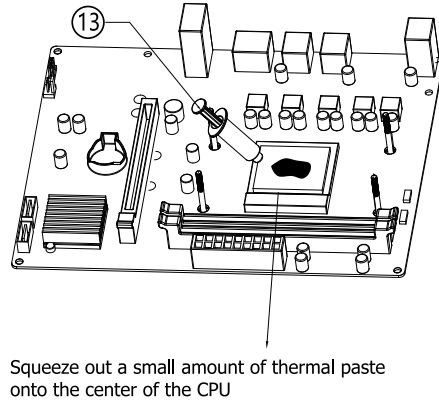
RGB 120 WATER COOLING

①		②		
③	④	⑤	⑥	⑦
⑧	⑨	⑩	⑪	⑫
⑬		⑭		⑮
① 1 PCS	② 120mm fan 1 PCS	③ 1 PCS	④ 2 PCS	⑤ 2 PCS
⑥ AM4 Mounting screw 2 PCS	⑦ 2 PCS	⑧ Mounting screw 4 PCS	⑨ Mounting screw 4 PCS	⑩ Fan screw 4 PCS
⑪ 4 PCS	⑫ Chassis screw 4 PCS	⑬ Thermal grease 1 PCS	⑭ 1 PCS	⑮ 1 PCS

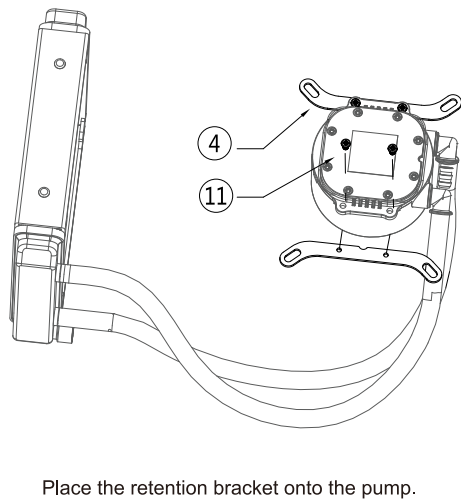
1 Intel 115X/20XX Motherboard



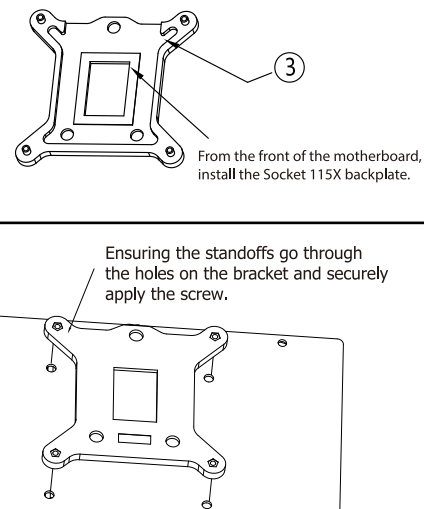
2 Intel 115X/20XX Motherboard



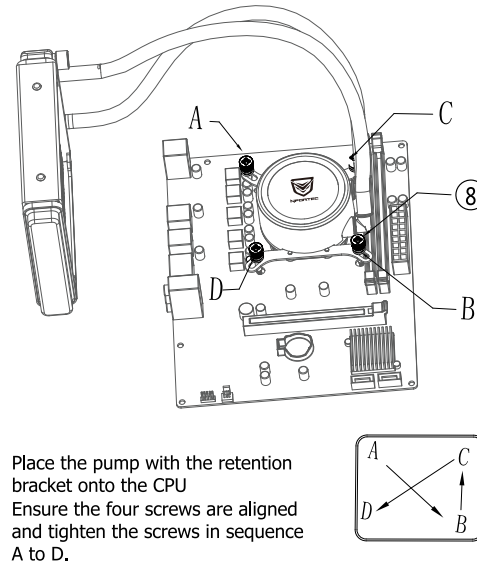
3 Intel 115X/20XX Motherboard



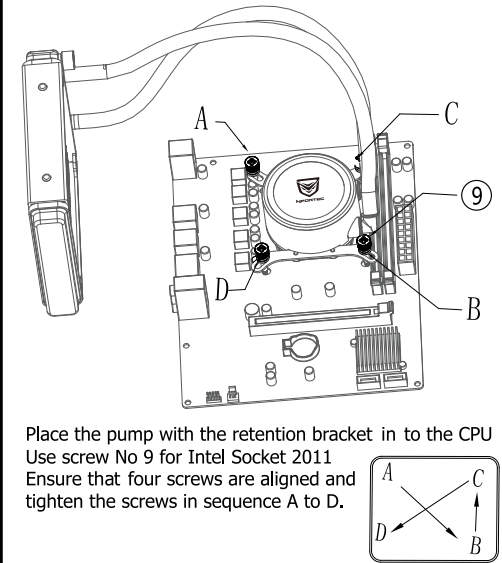
4 Intel 115X Motherboard



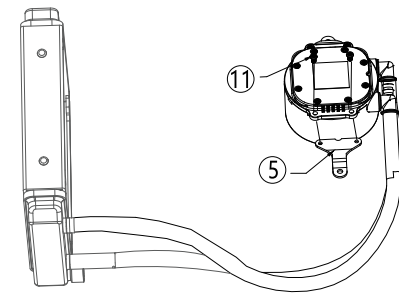
5 Intel 115X Motherboard



6 Intel 20XX Motherboard



7 AM4 Motherboard



8 AM4 Motherboard

